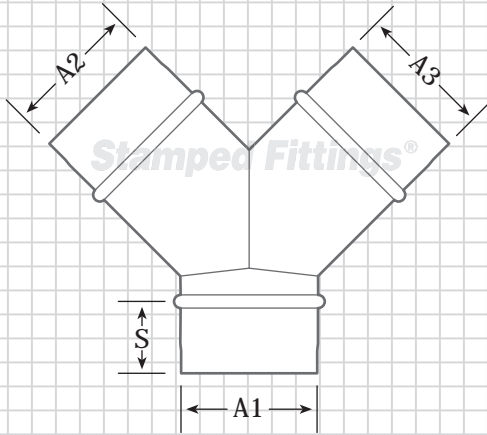


# Stamped Fittings® – Product Specifications

Y Branch (Y)



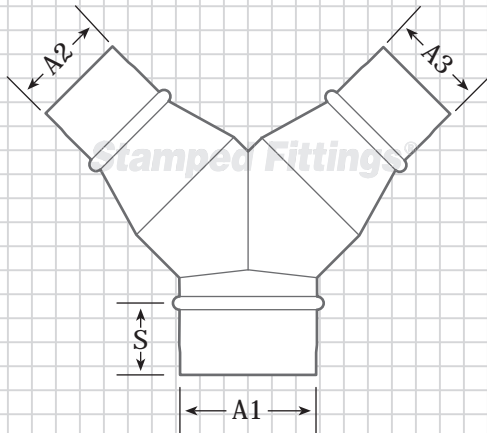
## Key

A1, A2 & A3 = Diameter  
S = 2"

## Materials Available

- Galvanized
- Galvaneal

Reducing Y Branch (RY)



## Key

A1, A2 & A3 = Diameter  
A2 & A3 are less than A1  
S = 2"

## Materials Available

- Galvanized
- Galvaneal