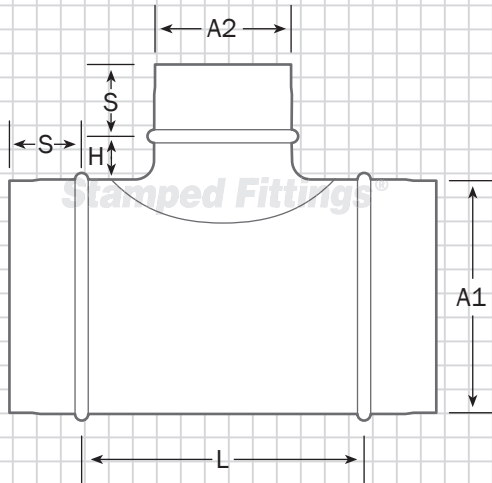


# Stamped Fittings® – Product Specifications

## 90. Tee with Die Stamped Saddle Tap (TDST)



### Key (TDST)

A1 = Up to 24" (A1 is greater than or equal to A2)  
 A2 = 4", 5", 6", 8", 10", 12"  
 S = 2"  
 H = 3/4" (where A1 = 6" or less),  
 1" (where A1 = 8" or more)  
 L = A2 + 4"

### Key (DSTRT)

A1 = Up to 24" (A1 is greater than or equal to A3)  
 A2 = Up to 24" (A2 is less than A1)  
 A3 = 4", 5", 6", 8", 10", 12"  
 S = 2"  
 H = 3/4" (where A3 = 6" or less),  
 1" (where A3 = 8" or more)  
 L = A3 + 4"  
 X = A1 - A2 (4" minimum)

## 90. Reducing Tee with Die Stamped Saddle Tap (DSTRT)

