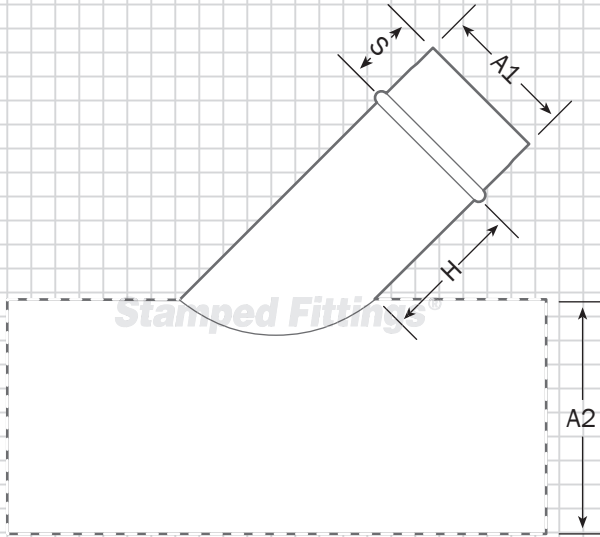


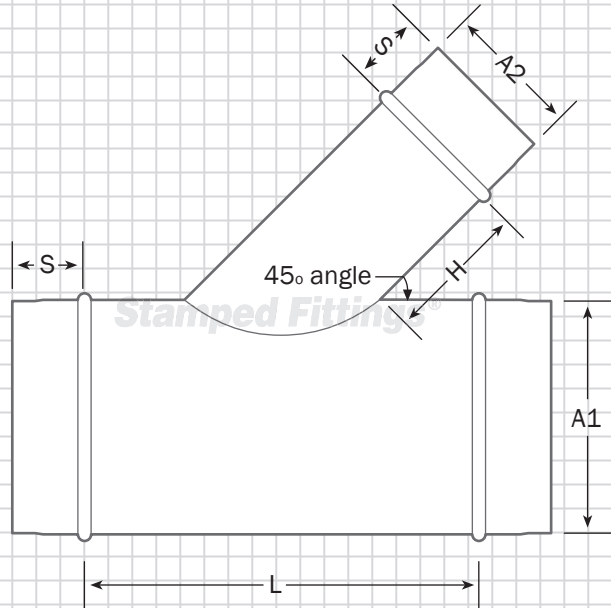
Stamped Fittings® – Product Specifications

45° Lateral (L)

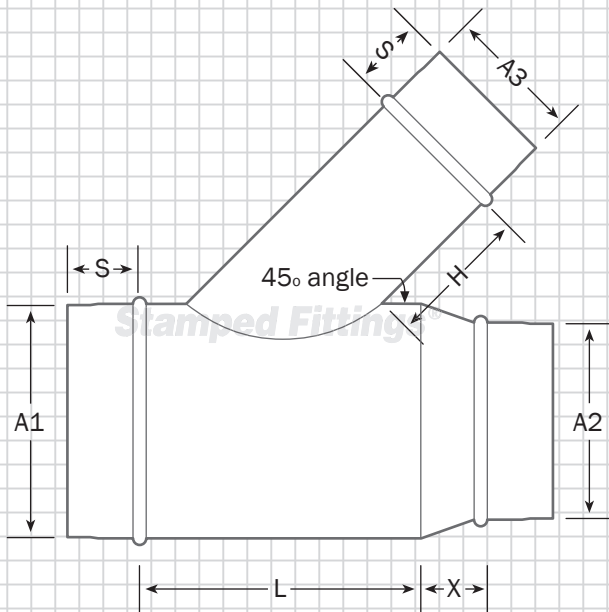


* Field installed fitting

45° Lateral Tee (LT)



45° Lateral Reducing Tee (LRT)



Key (L)

A1 & A2 = Diameter
 A2 is greater than or equal to A1
 S = 2"
 H = 4"

Key (LT)

A1 & A2 = Diameter
 A1 is greater than or equal to A2
 S = 2"
 H = 4"
 L = A2 + 4"

Key (LRT)

A1, A2 & A3 = Diameter
 A1 is greater than or equal to A3
 A2 is less than A1
 S = 2"
 H = 4"
 L = A3 + 4"
 X = A1 - A2 (4" minimum)

Materials Available

- Galvanized
- Galvaneal