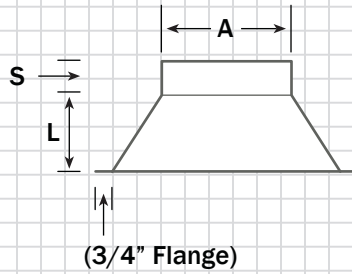


Stamped Fittings® - Product Specifications

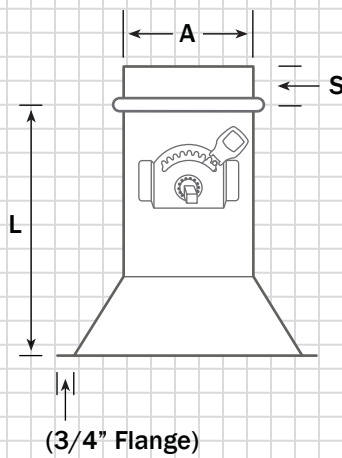
Conical Take-off (CTO)



Key (CTO)

A = Diameter
L = 4"
S = 2"

Conical Take-off with Damper (CTOD)



Key (CTOD)

A = Diameter
L = 7 - 1/4"
S = 2"

Low-Leakage Dampers

- 2" Stand-off
- Nylon bushings
- Locking handle for adjustment of damper - ease of balancing
- 3/8" Continuous square rod through damper