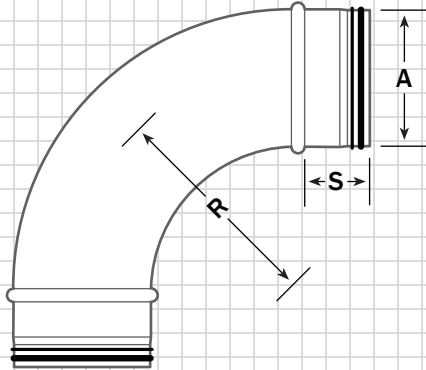
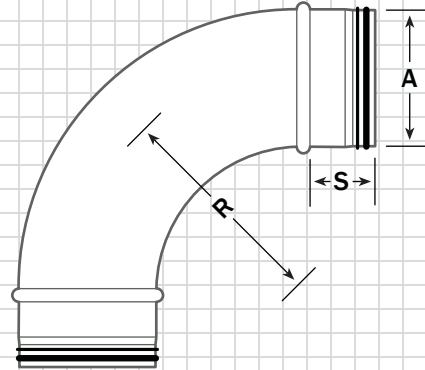


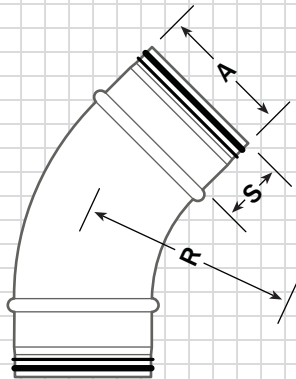
**Gasket 90° Die Stamped 1.5 CLR Elbow  
Galvanized (GDSE90)  
Galvaneal (GNDSE90)**



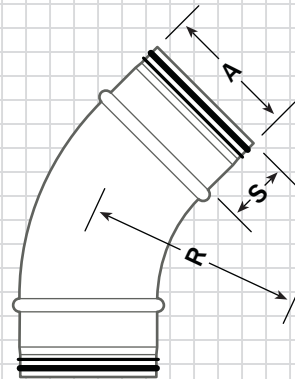
**Gasket 90° Die Stamped 1.0 CLR Elbow  
Galvanized (GDSE190)**



**Gasket 45° Die Stamped 1.5 CLR Elbow  
Galvanized (GDSE45)  
Galvaneal (GNDSE45)**



**Gasket 45° Die Stamped 1.0 CLR Elbow  
Galvanized (GDSE145)**



**Key**

A = 4" - 10" (all sizes), 12"  
R = 1-1/2 A (centerline radius)  
S = 2"

**Key**

A = 4" - 8" (all sizes), 10"  
R = 1A (centerline radius)  
S = 2"

**Gauge**

GDSE: 4" - 6" = 24 ga.; 7" - 12" = 22 ga.  
GDSE1: 4" - 10" = 24 ga.  
GNDSE: 4" - 12" = 22 ga.