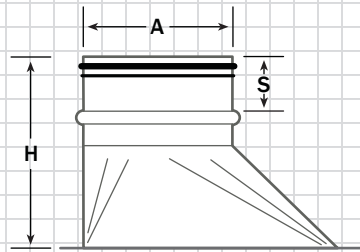


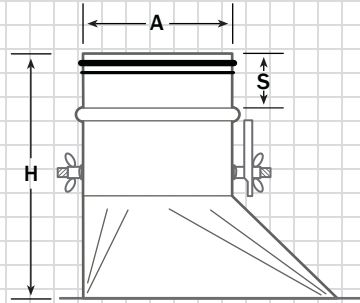
**Gasket High Efficiency Take-off
No Damper (GHET)**



Dimensions (GHET)

A	S	Rectangle Opening	H
4"	2"	8" x 6"	9.25"
5"	2"	10" x 6"	8"
6"	2"	12" x 6"	8"
7"	2"	12" x 6"	9"
8"	2"	12" x 6"	7.75"
9"	2"	15" x 6"	10"
10"	2"	16" x 6.75"	9.25"
12"	2"	18" x 8.5"	9.5"
14"	2"	20" x 9.5"	10"
16"	2"	24" x 12"	11.25"

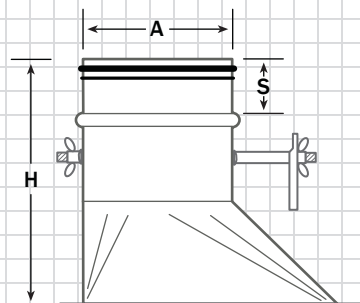
**Gasket High Efficiency Take-off
Standard Damper Hardware (GHETD)**



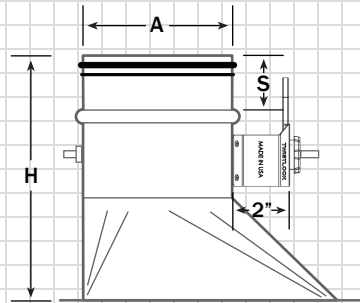
**Dimensions
(GHETD/GHETD2S/GHETDHD)**

A	S	Rectangle Opening	H
4"	2"	8" x 6"	12.25"
5"	2"	10" x 6"	10.75"
6"	2"	12" x 6"	11.25"
7"	2"	12" x 6"	12.25"
8"	2"	12" x 6"	11"
9"	2"	15" x 6"	13"
10"	2"	16" x 6.75"	12.75"
12"	2"	18" x 8.5"	12.75"
14"	2"	20" x 9.5"	13.75"
16"	2"	24" x 12"	14.75"

**Gasket High Efficiency Take-off
Standard Damper Hardware with
2" Extension (GHETD2S)**



**Gasket High Efficiency Take-off
Heavy Duty 2" Stand-off (GHETDHD)**



Materials

Galvanized 24 gauge

Features

- Continuous weld on longitudinal seam for zero air leakage at 2" WG static pressure
- 1" wide flange with peel and stick gasket and pre-drilled holes for ease of installation

- Low-Leakage Dampers:**
- 2" Stand-off
 - Nylon bushings
 - Locking handle
 - 3/8" Continuous square rod
 - All dampers to be installed 90° from the inlet of airflow

