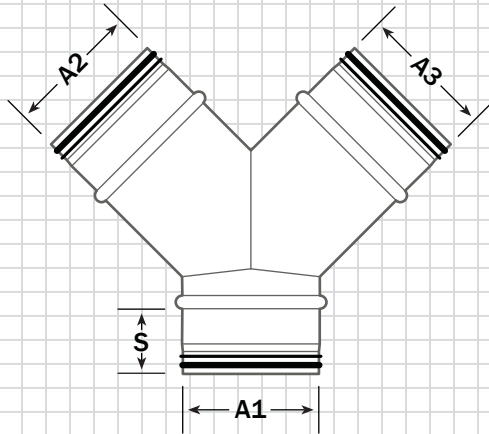


Gasket Y Branch (GY)



Key (GY)

Sizes Available for **A1, A2, & A3:**
 4" - 10" (all sizes), 12" - 60" (even sizes only)
S = 2"

Key (GRY)

Sizes Available for **A1, A2, & A3:**
 4" - 10" (all sizes), 12" - 60" (even sizes only)
A2 & A3 are less than A1
S = 2"

Gauge

4" - 24" = 24 ga.
 26" - 36" = 22 ga.

Gasket Reducing Y Branch (GRY)

