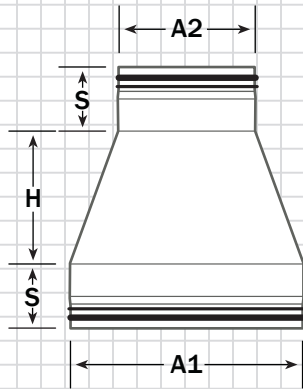


Gasket Concentric Reducer (GR)



Key (GR)

Sizes Available for A1 & A2:

4" - 10" (all sizes), 12" - 60" (even sizes only)

S = 2"

H = 4" if the change in diameter (**A1 - A2**) is less than or equal to 6"

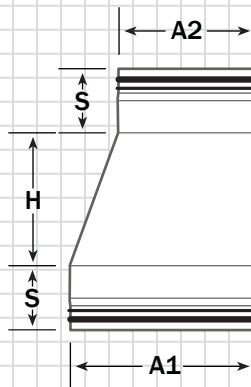
- If the change in diameter (**A1 - A2**) is greater than 6" then **H = A1 - A2**
- Please specify any other length, if not the standard.

Gauge

4" - 24" = 24 ga.

26" - 36" = 22 ga.

Gasket Eccentric Reducer (GER)



Key (GER)

Sizes Available for A1 & A2:

4" - 10" (all sizes), 12" - 60" (even sizes only)

S = 2"

H = (**A1 - A2**) x 2

- **H** minimum = 7-³/₄"
- Please specify any other length, if not the standard.

Gauge

4" - 24" = 24 ga.

26" - 36" = 22 ga.