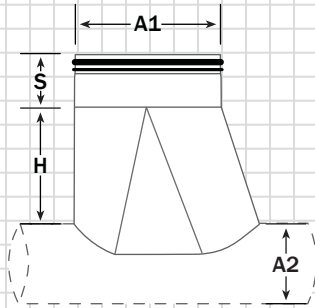


**90° Gasket Boot/Shoe Tap (GBTP)**



**Key (GBTP)**

**A1** = 4" - 10" (all sizes), 12" - 60" (even sizes only)  
**A2** is greater than or equal to **A1**  
**S** = 2"  
**H** = 5"

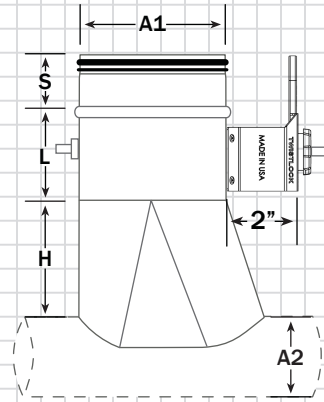
**Key (GBTPD)**

**A1** = 4" - 10" (all sizes), 12" - 60" (even sizes only)  
**A2** is greater than or equal to **A1**  
**S** = 2"  
**L** = 3.5"  
**H** = 5"

**Gauge**

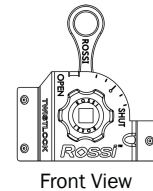
4" - 24" = 24 ga.  
 26" - 36" = 22 ga.

**90° Gasket Boot/Shoe Tap with Damper (GBTPD)**



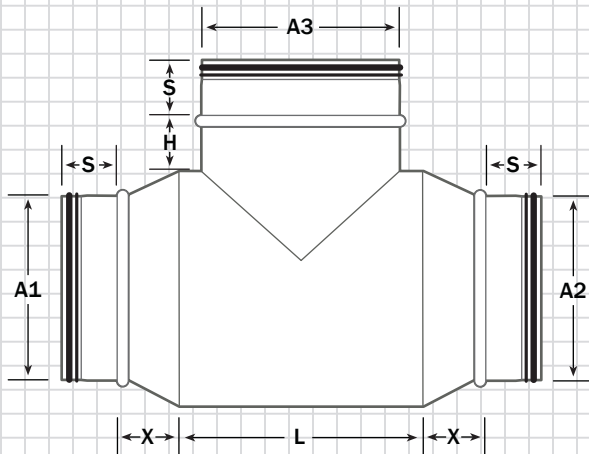
**Low-Leakage Dampers:**

- 2" Stand-off
- Nylon bushings
- Locking handle
- 3/8" Continuous square rod
- All dampers to be installed 90° from the inlet of airflow



Front View

**Gasket Reducing Bull Head Tee (GBRT)**



**Key (GBRT)**

**S** = 2"  
**H** = 2"  
**L** = **A3** + 4"  
**X** = 4" minimum  
**A3** > **A1** or **A2**

Order as: in, out, branch (**A1**, **A2**, **A3**)

**Gauge**

4" - 24" = 24 ga.  
 26" - 36" = 22 ga.