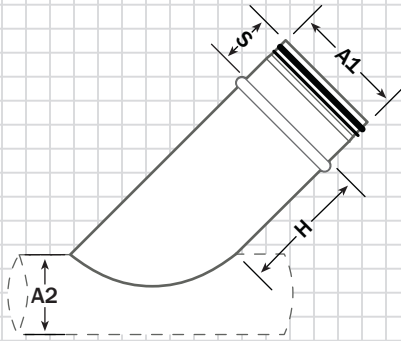
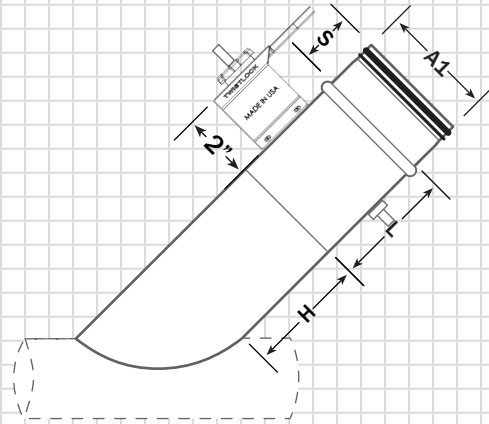


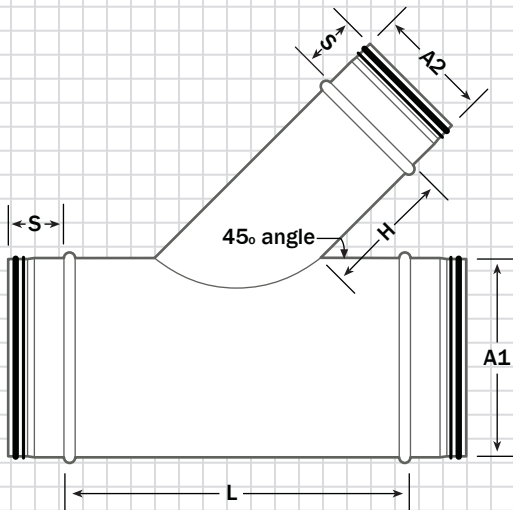
Gasket 45° Lateral (GL)



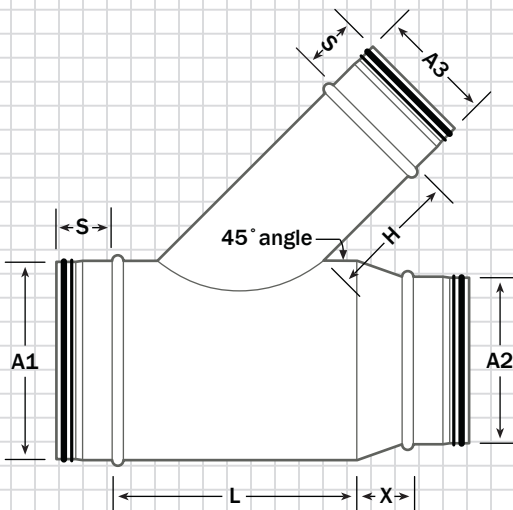
Gasket 45° Lateral with Damper (GLD)



Gasket 45° Lateral Tee (GLT)

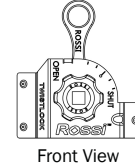


Gasket 45° Lateral Reducing Tee (GLRT)



Low-Leakage Dampers:

- 2" Stand-off
- Nylon bushings
- Locking handle
- 3/8" Continuous square rod
- All dampers to be installed 90° from the inlet of airflow



Key (GL)

- Sizes Available for A1:**
 4" - 10" (all sizes), 12" - 60" (even sizes only)
A2 is greater than **A1**
S = 2"
H = 4"

Key (GLD)

- Sizes Available for A1:**
 4" - 10" (all sizes), 12" - 60" (even sizes only)
A2 is greater than or equal to **A1**
S = 2"
H = 4"
L = 3.5"

Key (GLT)

- Sizes Available for A1 & A2:**
 4" - 10" (all sizes), 12" - 60" (even sizes only)
A1 is greater than or equal to **A2**
S = 2"
H = 4"
L = (**A2** x 1.414) + 4"

Key (GLRT)

- Sizes Available for A1, A2 & A3:**
 4" - 10" (all sizes), 12" - 60" (even sizes only)
A1 is greater than or equal to **A3**
A2 is less than **A1**
S = 2"
H = 4"
L = (**A3** x 1.414) + 4"
X = **A1** - **A2** (4" minimum)

Gauge

- 4" - 24" = 24 ga.
 26" - 36" = 22 ga.