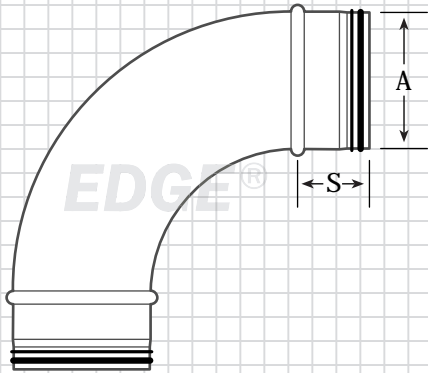
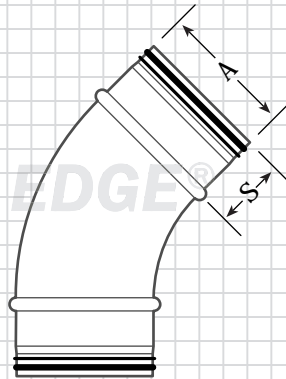


The EDGE® – Product Specifications

**Gasket 90° Die Stamped 1.5
CLR Elbow (GDSE90)**

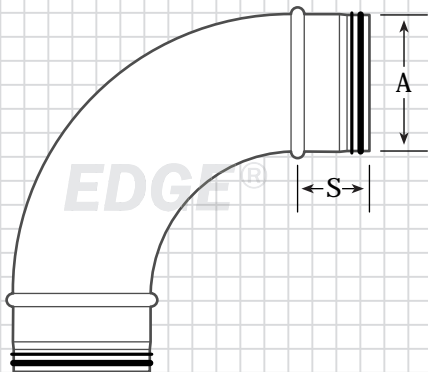


**Gasket 45° Die Stamped 1.5
CLR Elbow (GDSE45)**

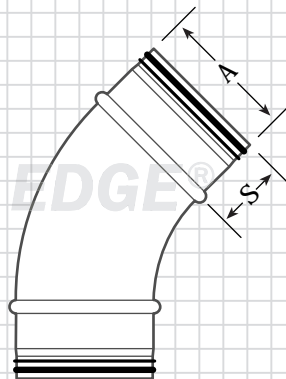


A	S
4"	2"
5"	2"
6"	2"
7"	2"
8"	2"
9"	2"
10"	2"
12"	2"

**Gasket 90° Die Stamped 1.0
CLR Elbow (GDSE190)**



**Gasket 45° Die Stamped 1.0
CLR Elbow (GDSE145)**



A	S
4"	2"
5"	2"
6"	2"
7"	2"
8"	2"
9"	2"
10"	2"