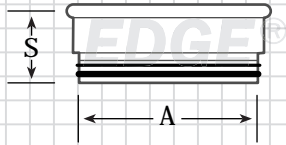


The EDGE® – Product Specifications

Gasket End Plug (GEP)

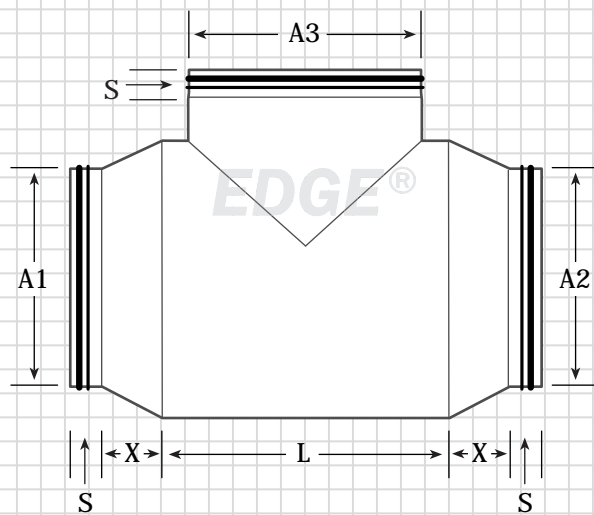


Key (GEP)

A = 4" - 10" (all sizes), 12" - 60" (even sizes only)

S = 2"

Gasket Reducing Bull Head Tee (GBRT)



Key (GBRT)

S = 2"

L = A + 4"

X = 4" minimum

A3 > A1 & A2

Order as: in, out, branch (A1, A2, A3)