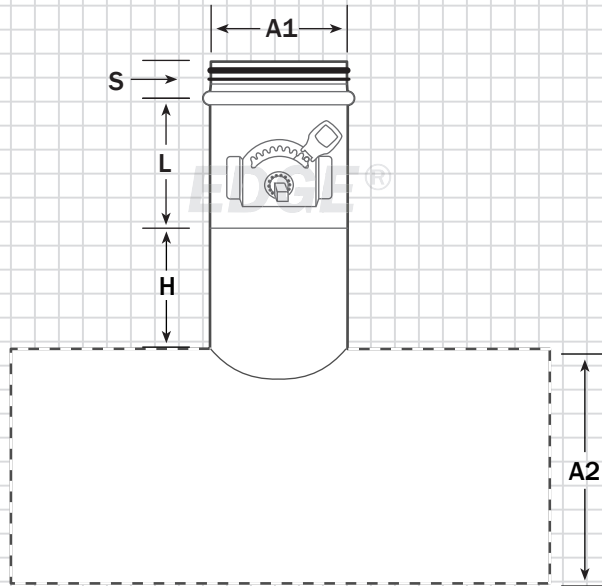


# The EDGE® – Product Specifications

## Gasket 90 Straight Tap with Damper (GSTD)



\* Field installed fitting

## Key (GSTD)

Sizes Available for A1:

4" - 10" (all sizes), 12" - 36" (even sizes only)

A2 is greater than or equal to A1

S = 2"

H = 4"

L = 4"

## Features

- 22 Gauge galvanized body

## Low-Leakage Dampers

- 2" Stand-off
- Nylon bushings
- Locking handle for adjustment of damper - ease of balancing
- 3/8" Continuous square rod through damper