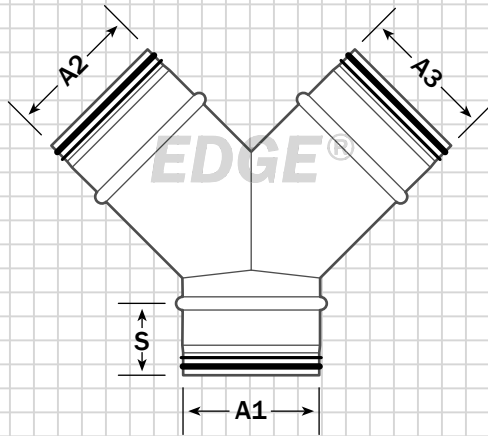


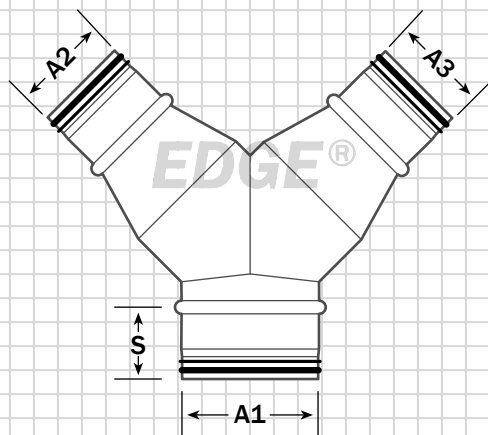
Gasket Y Branch (GY)



Key

Sizes Available for A1, A2 & A3:
4" - 10" (all sizes), 12" - 60" (even sizes only)
S = 2"

Gasket Reducing Y Branch (GRY)



Key

Sizes Available for A1, A2 & A3:
4" - 10" (all sizes), 12" - 60" (even sizes only)
A2 & A3 are less than A1
S = 2"