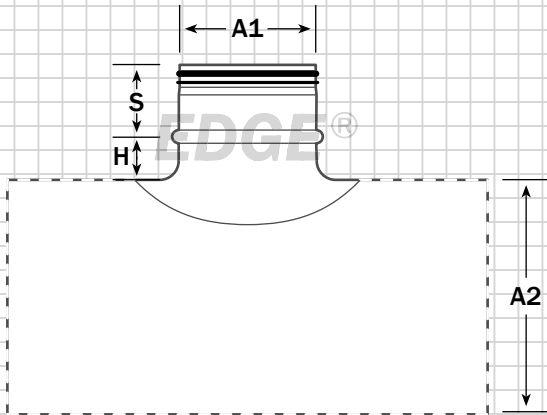
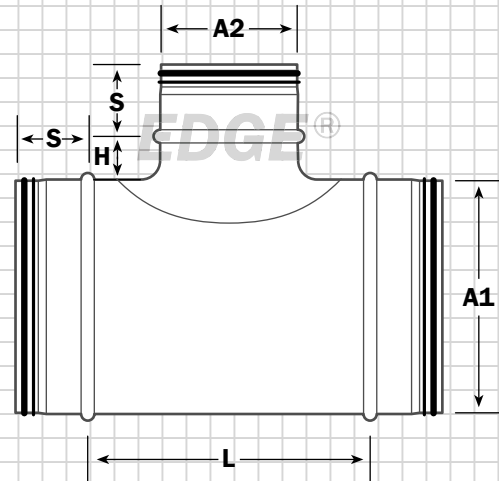


Gasket 90° Die Stamped Saddle Tap (GDST)

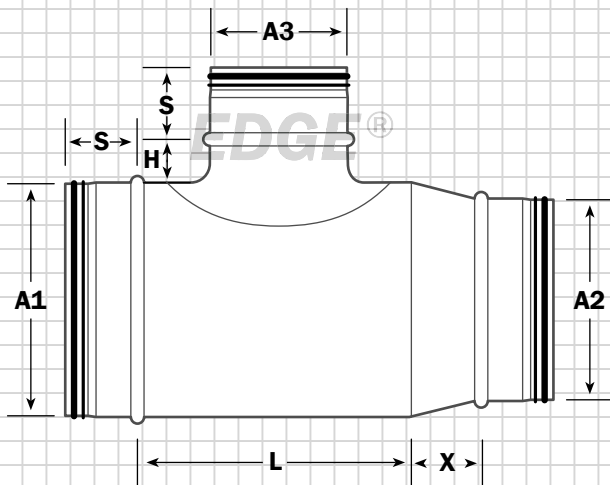


* Field installed fitting

Gasket 90° Tee with Die Stamped Saddle Tap (GTDST)



Gasket 90° Reducing Tee with Die Stamped Saddle Tap (GDSTRT)



Key (GDST)

- A1 = 4", 5", 6", 8", 10", 12"
- A2 = Up to 24" (A2 is greater than or equal to A1)
- S = 2"
- H = 3/4" (where A1 = 6" or less),
1" (where A1 = 8" or more)

Key (GTDST)

- A1 = Up to 24" (A1 is greater than or equal to A2)
- A2 = 4", 5", 6", 8", 10", 12"
- S = 2"
- H = 3/4" (where A1 = 6" or less),
1" (where A1 = 8" or more)
- L = A2 + 4"

Key (GDSTRT)

- A1 = Up to 24" (A1 is greater than or equal to A3)
- A2 = Up to 24" (A2 is less than A1)
- A3 = 4", 5", 6", 8", 10", 12"
- S = 2"
- H = 3/4" (where A3 = 6" or less),
1" (where A3 = 8" or more)
- L = A3 + 4"
- X = A1 - A2 (4" minimum)