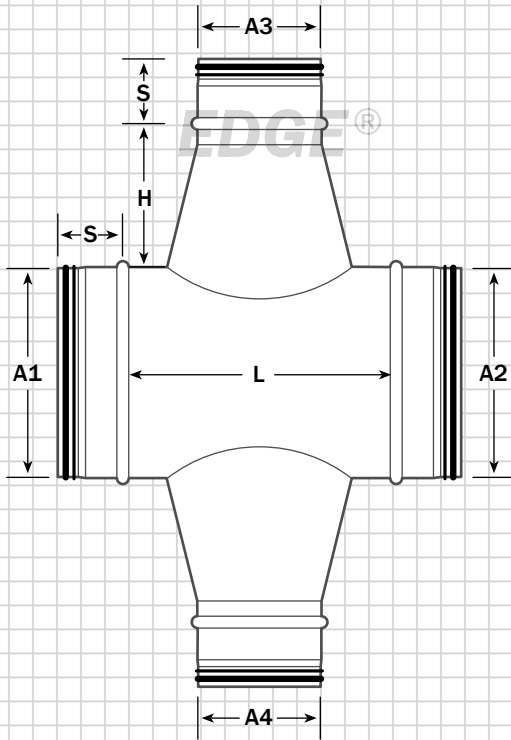


Gasket Conical Cross (GCROSC)



Key (GCROSC)

Sizes Available for A1, A2, A3 & A4:
 4"- 10" (all sizes), 12"- 60" (even sizes only)
 A1 & A2 are greater than A3 & A4 (= 2" min.)
 A3 is greater than or equal to A4
 S = 2"
 H = 4"
 L = A3 + 4"

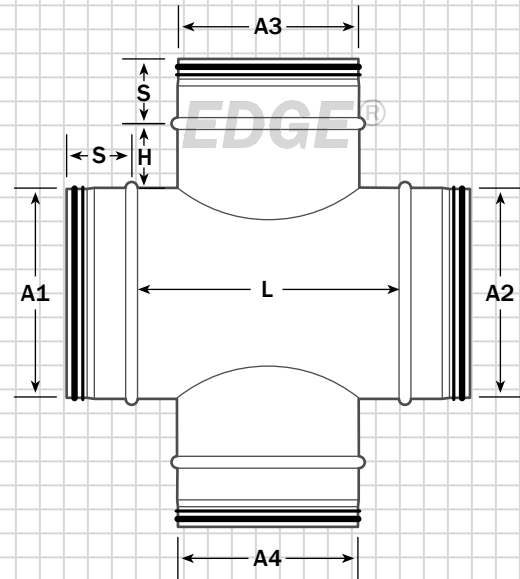
Key (GCROSS)

Sizes Available for A1, A2, A3 & A4:
 4"- 10" (all sizes), 12"- 60" (even sizes only)
 A1 & A2 are greater than or equal to A3 & A4
 A3 is greater than or equal to A4
 S = 2"
 H = 4"
 L = A3 + 4"

Key (GCROSL)

Sizes Available for A1, A2, A3 & A4:
 4"- 10" (all sizes), 12"- 60" (even sizes only)
 A1 & A2 are greater than or equal to A3 & A4
 A3 is greater than or equal to A4
 S = 2"
 H = 4"
 L = (A3 x 1.414) + 4"

Gasket Straight Cross (GCROSS)



Gasket 45° Lateral Cross (GCROSL)

