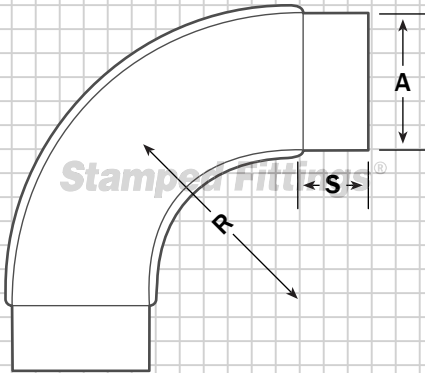
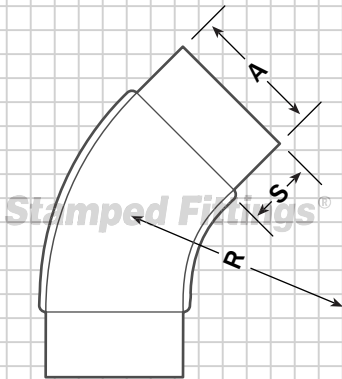


90° Die Stamped 20 Gauge Flanged Elbow (DSEF90)



45° Die Stamped 20 Gauge Flanged Elbow (DSEF45)



Key

A = Diameter, nominal size
 R = 1-1/2 A (centerline radius)
 S = 2"

Materials Available

- Galvanized, 20 ga.
- Stainless steel 304L & 316L, 20 ga.
- Aluminum 3003, 20 ga.
- PVS 4x4 mill, 20 ga.

Options Available

- Available assembled or unassembled

Welding Process

Galvanized and stainless steel are fully welded on the throat and heel by an automated welder. PVS and aluminum are assembled with rivets and sealed with silicone. Aluminum can also be fully tig welded on the throat and heel.

Dimensions

(A)	90° (R)	Wt. Per 90° Elbow	Wt. Per 90° Elbow (Alum.)	45° (R)	Wt. Per 45° Elbow	Wt. Per 45° Elbow (Alum.)
3"	4.5"	1.0#	0.5#	4.5"	0.7#	0.2#
4"	6.0"	1.5#	0.7#	6.0"	1.0#	0.5#
5"	7.5"	2.0#	1.0#	7.5"	1.5#	0.5#
6"	9.0"	3.5#	1.7#	9.0"	2.0#	1.0#
7"	10.5"	5.0#	2.0#	10.5"	2.5#	1.2#
8"	12.0"	5.7#	2.8#	12.0"	3.2#	1.5#
9"	13.5"	7.2#	3.5#	13.5"	4.0#	1.7#
10"	15.0"	8.5#	4.0#	15.0"	5.0#	2.2#
11"	16.5"	10.0#	5.0#	16.5"	6.0#	2.7#
12"	18.0"	13.0#	6.2#	18.0"	7.0#	3.2#
14"	21.0"	18.0#	N/A	21.0"	9.0#	4.2#